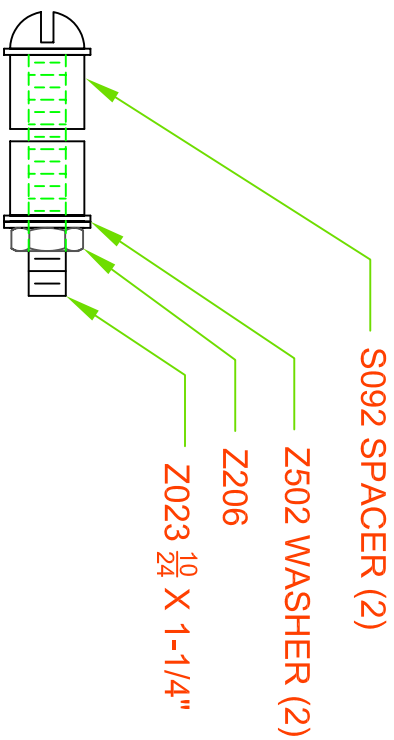
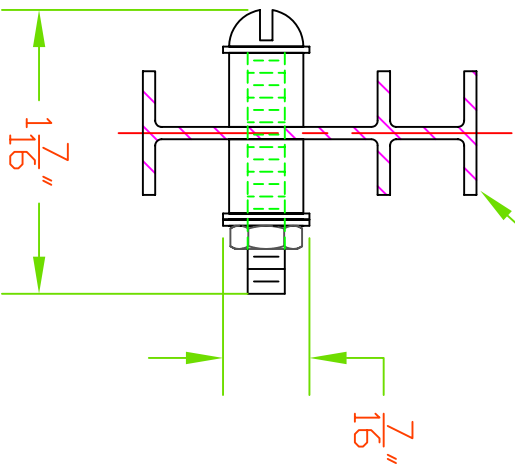


MODEL 1300 TRACK



AUTOMATIC DEVICES COMPANY
 2121 S. 12TH ST. ALLENTOWN, PA 18103

THIS DRAWING HAS BEEN PREPARED AS A SERVICE TO OUR CUSTOMER AND IS INTENDED ONLY TO BE SUGGESTIVE IN NATURE AND IS NOT TO BE USED AS AN ACTUAL INSTALLATION DRAWING. PREVAILING JOB CONDITIONS AND ACCEPTED PRACTICES MUST BE TAKEN INTO ACCOUNT WHEN THE EQUIPMENT IS INSTALLED.

SIZE	DATE	REV
A	05/27/10	
DRAWN BY DUL		
APPROVED BY		
DESCRIPTION 1309 END STOP		
SCALE 1" = 1"	SHEET 1 OF 1	DWG NO. A-1309-10