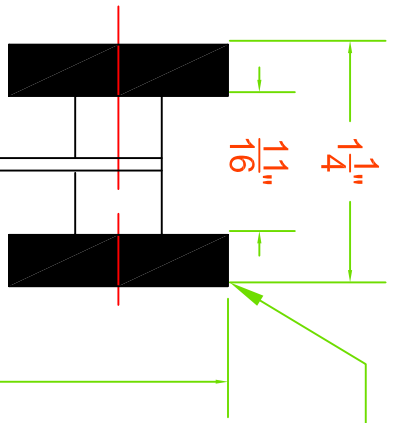


NICKEL PLATED
STEEL BODY



NEOPRENE TIERED
BALL BEARING WHEEL

NICKEL PLATED STEEL SWIVEL

AUTOMATIC DEVICES COMPANY
2121 S. 12TH ST. ALLENTOWN, PA 18103

THIS DRAWING HAS BEEN PREPARED AS A SERVICE TO OUR CUSTOMER AND IS INTENDED ONLY TO BE SUGGESTIVE IN NATURE AND IS NOT TO BE USED AS AN ACTUAL INSTALLATION DRAWING. PREVAILING JOB CONDITIONS AND ACCEPTED PRACTICES MUST BE TAKEN INTO ACCOUNT WHEN THE EQUIPMENT IS INSTALLED.

SIZE	DATE	MODEL	REV
A	07/18/10	170 BESTEEL	
DRAWN BY DUL		DESCRIPTION NEOPRENE TIERED BALL-BEARING SINGLE CARRIER	
APPROVED BY		DWG NO. A-1749-93	
SCALE 1" = 1"		SHEET 1 OF 1	