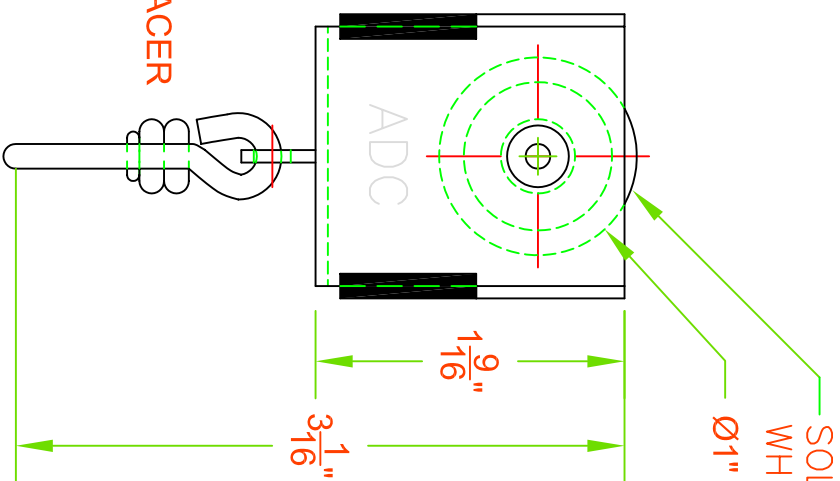
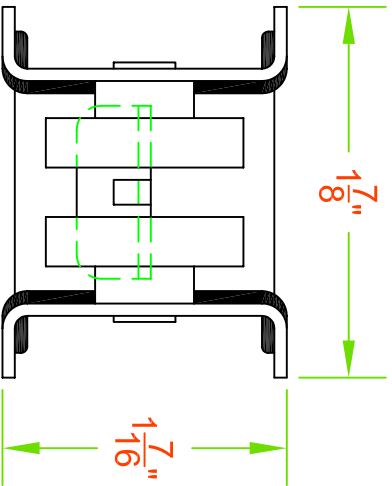


PLASTIC BUMPER/SPACER



SOLID (NON-BALL-BEARING) WHEELS
Ø1"



NICKEL PLATED STEEL CONSTRUCTION.
WHEELS - SOLID NYLON
FOR USE WITH 1400 & 4200 TRACK SYSTEMS

AUTOMATIC DEVICES COMPANY
2121 S. 12TH ST. ALLENTOWN, PA 18103

THIS DRAWING HAS BEEN PREPARED AS A SERVICE TO OUR CUSTOMER AND IS INTENDED ONLY TO BE SUGGESTIVE IN NATURE AND IS NOT TO BE USED AS AN ACTUAL INSTALLATION DRAWING. PREVAILING JOB CONDITIONS AND ACCEPTED PRACTICES MUST BE TAKEN INTO ACCOUNT WHEN THE EQUIPMENT IS INSTALLED.

SIZE	DATE	DESCRIPTION	REV
A	06/15/10	1400/4200 SERIES	
DRAWN BY DJL		APPROVED BY	
SCALE 1" = 1"		SHEET 1 OF 1	DWG NO. A-4237-10