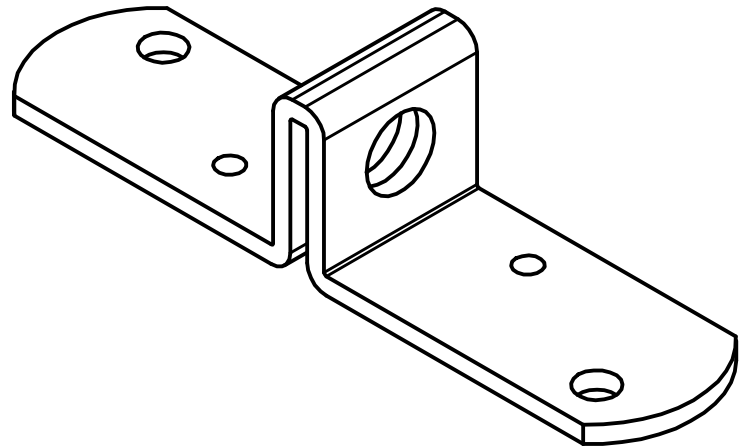
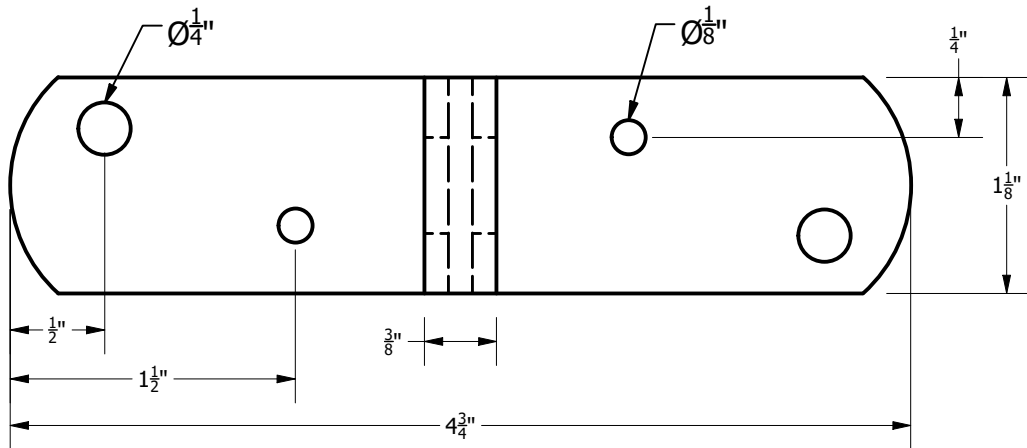


2

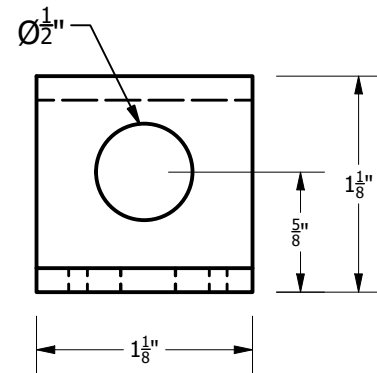
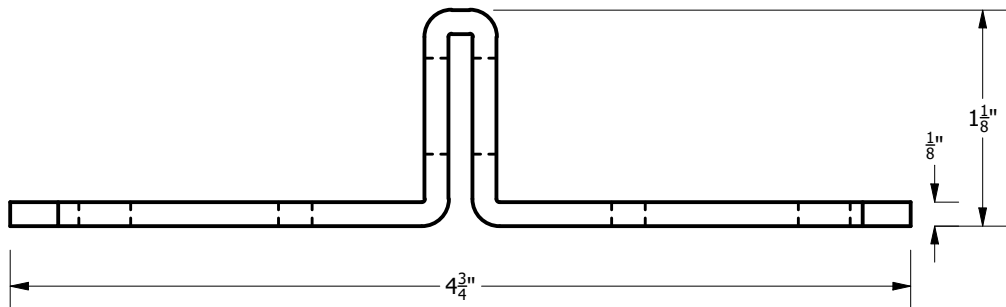


1

B



B



A

A

MATERIAL: STEEL
FINISH: UNFINISHED

THIS DRAWING REPRESENTS VISUAL CONCEPTS AND CONSTRUCTION SUGGESTIONS ONLY. PLEASE REVIEW CONSTRUCTION METHODS AND MATERIAL DETAILS FOR SUITABILITY. FINAL APPROVAL IS REQUIRED BEFORE CONSTRUCTION CAN BEGIN. PLEASE CONTACT ROSE BRAND TO DISCUSS ALTERATIONS TO THE PROJECT.



ROSE BRAND

PO BOX 1536 SECAUCUS, NJ 07096
800-223-1624 ROSEBRAND.COM

ALL DIMENSIONS IN INCHES (IN)
UNLESS STATED OTHERWISE

TOLERANCES:

- 0.X = ± 0.2 X/X = ± 1/16
- 0.0X = ± 0.01 < = ± 1/2°
- 0.00X = ± 0.005
- 0.000X = ± 0.0005

CLIENT	ROSE BRAND	PROJECT	SCENERY HARDWARE
TITLE	1/2" SHACKLE PLATE		
SIZE	AWG NO	DATE	REV
A	HWSH0009		A
SCALE	DRAWN BY	DATE	
1'-0"=1'-0"	B. JOHN	6/3/2024	

2



1