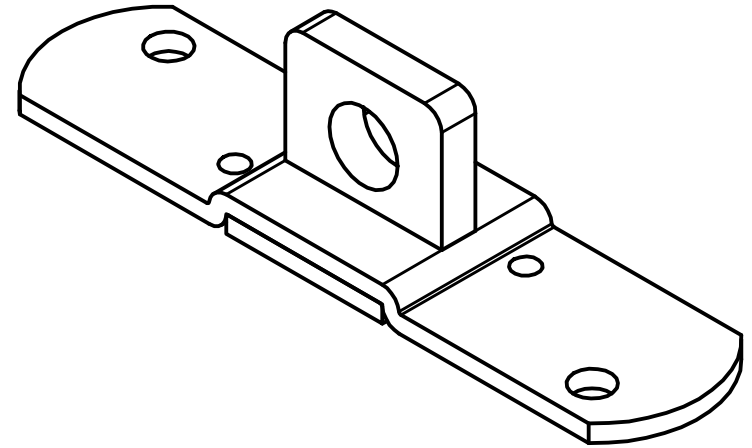
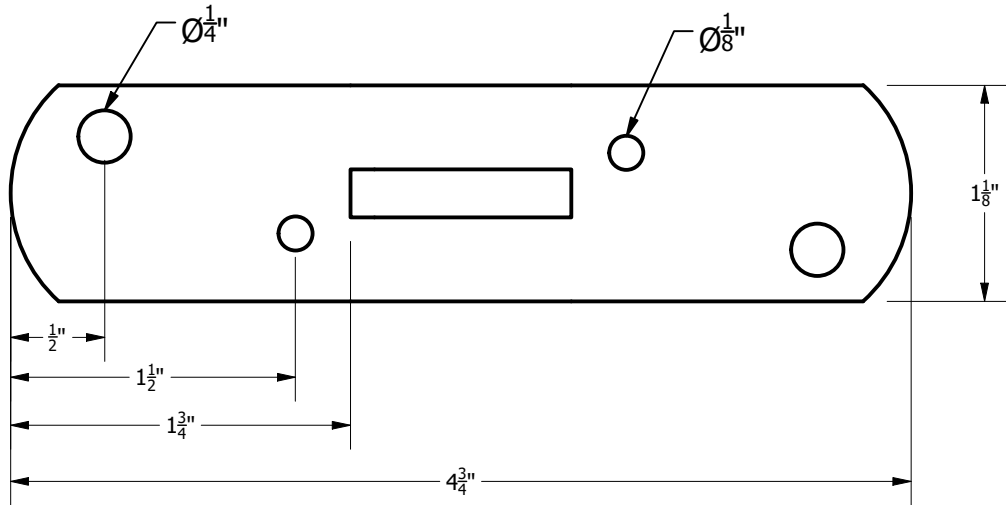


2

1

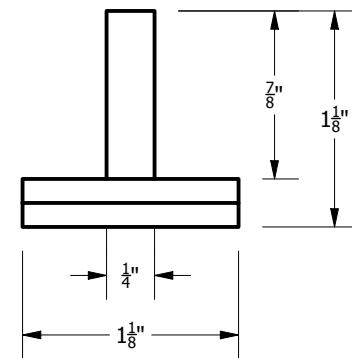
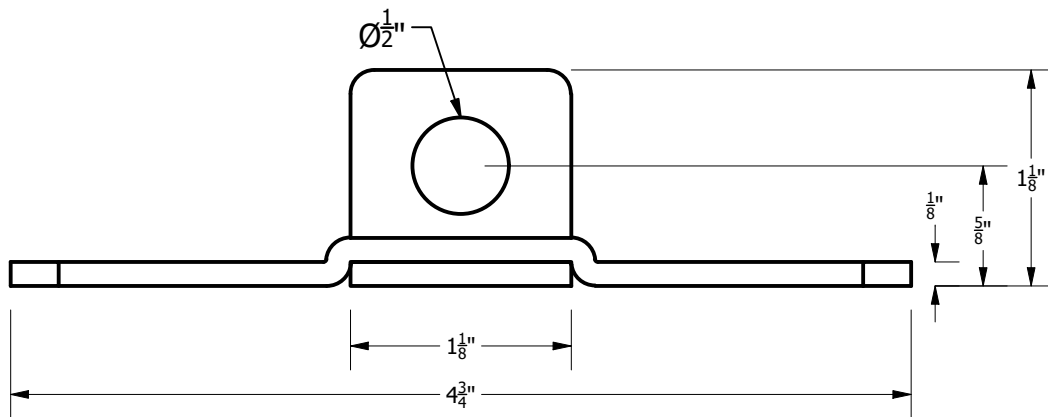
B

B



A

A



MATERIAL: STEEL
FINISH: UNFINISHED

THIS DRAWING REPRESENTS VISUAL CONCEPTS AND CONSTRUCTION SUGGESTIONS ONLY. PLEASE REVIEW CONSTRUCTION METHODS AND MATERIAL DETAILS FOR SUITABILITY. FINAL APPROVAL IS REQUIRED BEFORE CONSTRUCTION CAN BEGIN. PLEASE CONTACT ROSE BRAND TO DISCUSS ALTERATIONS TO THE PROJECT.



ROSE BRAND

PO BOX 1536 SECAUCUS, NJ 07096

800-223-1624 ROSEBRAND.COM

ALL DIMENSIONS IN INCHES (IN) UNLESS STATED OTHERWISE

TOLERANCES:

0.X = ± 0.2 X/X = ± 1/16
0.0X = ± 0.01 < = ± 1/2°
0.00X = ± 0.005
0.000X = ± 0.0005

CLIENT	ROSE BRAND	PROJECT	SCENERY HARDWARE
TITLE	90 DEGREE SHACKLE PLATE WITH 1/2" EYE		
SCALE	1'-0"=1'-0"	DRAWN BY	B. JOHN
DATE	6/3/2024	STATE	

2

1

1