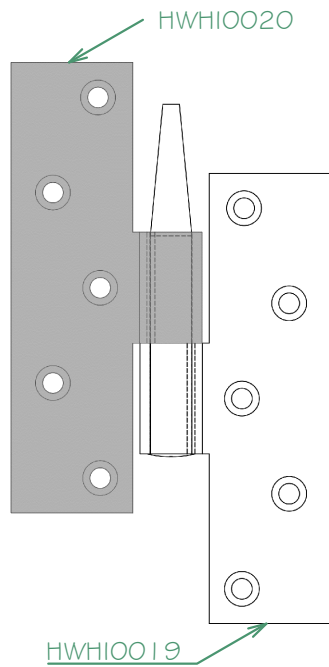


OVERVIEW



NTS

PRODUCT: SLIPH HING - RIGHT PIN

PRODUCT#: HWHI0019

SCALE: 6" = 1'-0"

DATE: 12/13/2017

 **ROSE BRAND**

PO BOX 1536 SECAUCUS, NJ 07096
800-223-1624 rosebrand.com