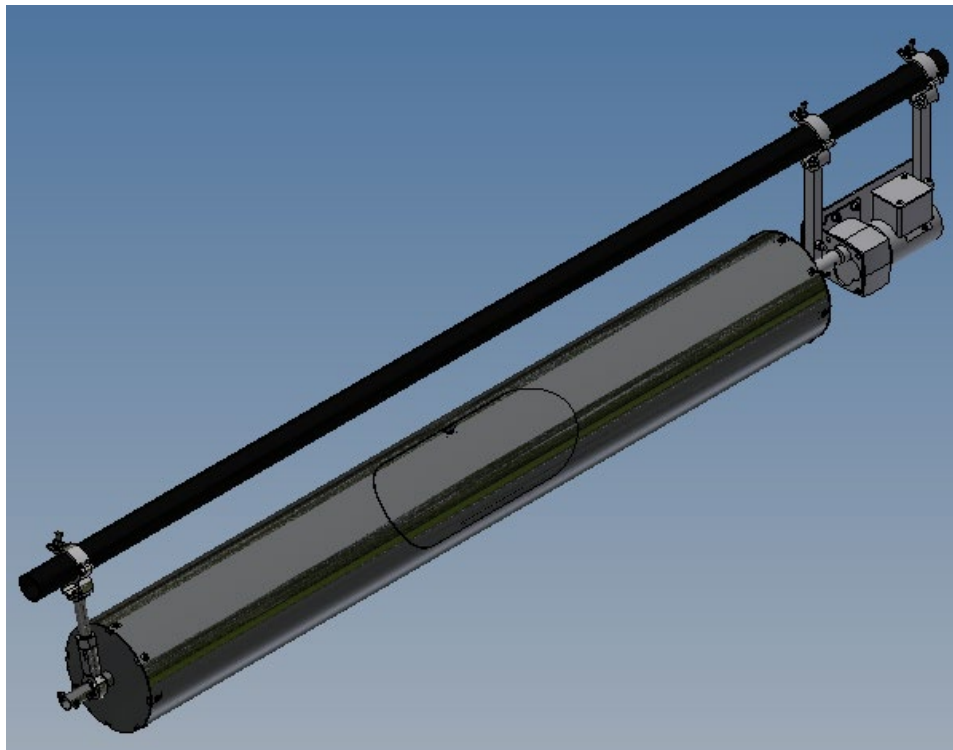




***SNOW & CONFETTI MACHINE (RENTAL)
OPERATIONS & MAINTENANCE MANUAL***

Version: 1.0

Date: *April 3, 2023*



CONTENTS

1. Introduction	3
2. Warnings and Safety Information	3
3. System Components	4
3.1. Hardware Components	4
3.2. Control System	4
4. Installation	4
4.1. Unloading	4
4.2. Setup	5
5. Usage & Operation	5
5.1. Trained Operator	5
5.2. Line of Sight	5
6. General Cleaning	5
7. Technical Information	6
7.1. Fall Rates	6
8. Contacts	8

1. Introduction

Snow machines are designed to offer a quiet motorized drum style theatrical snow or confetti effect system.

2. Warnings and Safety Information

ALWAYS ensure each system is completely de-energized and all circuits are off before performing maintenance or adjusting this system. Use of a proper Lockout/Tag Out system is strongly advised.

Never assume that a system is safe unless it is de-energized.

Remain clear of all moving components.

NEVER place fingers near any moving parts, including but not limited to the drum, motor, and bearings.

NEVER operate without guards or covers in place.

All suspension hardware must be rated/engineered for the intended load of the system.

The system should only be operated by trained personnel.

The system should only be operated with clear line of sight or with a second person with a clear view and direct communication to the operator.

The system must be inspected regularly to ensure proper functionality.

Systems should never be installed in a location where patrons or personnel can directly access the drum. Injury may result.

Failure to follow installation instructions and safe working procedure may result in damage to the system, system components, or damage to the building or facility in which this system is installed.

Failure to follow installation instructions and safe working procedure may result in loss of articles of clothing and jewelry, injury, full or partial amputation of digits or appendages, or even DEATH.

Safe installation and operation are the responsibility of the installer. All personnel using these systems must be properly trained on the safe operation of the systems as well as how to recognize potential hazards.

NOTE: All equipment must be properly grounded before energizing any portion of the system.

3. System Components

3.1. Hardware Components

Refer to fig. 1 in technical information for assembly diagram.

- Motor unit
 - Snow motors use a gearmotor to transmit power through a coupled shaft rotating the snow drum. The gearmotor is mounted to motor plates that are also used to hang the motor either from a pipe or truss. One motor drives 1 to 16 connected 5' sections.
- Drum
 - The drum is a perforated aluminum tube that provides 5' long drums with a diameter of 8" that connect to create the desired stage length. The drum has 3/8" perforations and uses Rose Brand FR Paper Snow or Confetti for the ultimate effect (paper snow or confetti are not included but are available for purchase separately).
- Clamp and Bearing
 - One is used to support the end of each section of drum. Conveniently uses a pipe clamp that can be hung from a pipe or truss.

3.2. Control System

Variable speed motor control and motor require 120VAC power source. The controller has a switch to turn unit on and off. Customer can use the potentiometer on the control box to set the desired speed. 60' control cable and 10' power cable comes preassembled with the unit.

A light board can be used to turn on and off the unit. A non-dim circuit must be used. There is no DMX connection and speed can only be controlled by the provided control box. When using a light board to control on/off power set switch on provided controller to ON.

4. Installation

DISCLAIMER: Product should be installed by a qualified and experienced technician. Please contact Rose Brand for installation assistance if necessary.

4.1. Unloading

When unloading the snow machine system please take the time to check that all documentation and components are present and in working condition. Check all components for damage and contact Rose Brand if any parts are damaged or missing.

Exercise care in handling the drums to ensure that it does not get bent, crushed, or in any way deformed.

In addition to the connections made on site; time must be taken to ensure ALL connections are secure including ones set from the factory as they may have come loose during shipping.

4.2. Setup

Rose Brand does not engineer or design final hanging methods. Many methods are acceptable, and the final solution must be determined by a qualified person according to your site conditions. Make sure that all local building codes and applicable standards are followed.

Each system requires a motor drive and control, at least one 5'-0" drum, one clamp and bearing fixture, and of course, snow (sold separately). Each additional drum is supported at one end by the previous drum and the other end by additional clamp and bearing fixture. One end of the drum shaft should have a coupler to allow the shaft of the next drum to be inserted. Insert the bolts into the coupler to hold the drum shafts together. Continue down the line to reach desired length. See Fig. 1 in technical information for assembly diagram.

5. Usage & Operation

5.1. Trained Operator

This system should only be operated by trained and authorized personnel. Operation by any other person may result in damage to the system or injury to personnel.

5.2. Line of Sight

The operator must always maintain a clear line of sight with the moving curtain to ensure proper clearance anytime the curtain is moving. If a clear line of sight is not possible due to control location, operation must be executed with a second person that can both see the full motion as well as communicate clearly and easily with the operator.

6. General Cleaning

Unit should be returned in a clean, working condition. Please remove all snow and debris from drum cages. Check to make sure all parts are returned to case.

7. Technical Information

Service voltage:	120VAC, 60 Hz
Service amperage:	3 Amps
Maximum operational length of drums:	80 feet
Maximum RPM (Variable Speed):	20
Motor and control with cable weight:	19 pounds
Drum 5'-0" long x 8" diam. weight:	10 pounds
Clamp and bearing fixture weight:	1 pound

7.1. Fall Rates

With the 3/8" perforated holed drum, five pounds of snow or confetti will fall at the slowest speed for 6-7 hours, and at the fastest speed for 45 minutes to 1 hour. Each drum is holds 5 pounds of snow, which can be measured by loosely packing into a 5-gallon bucket.

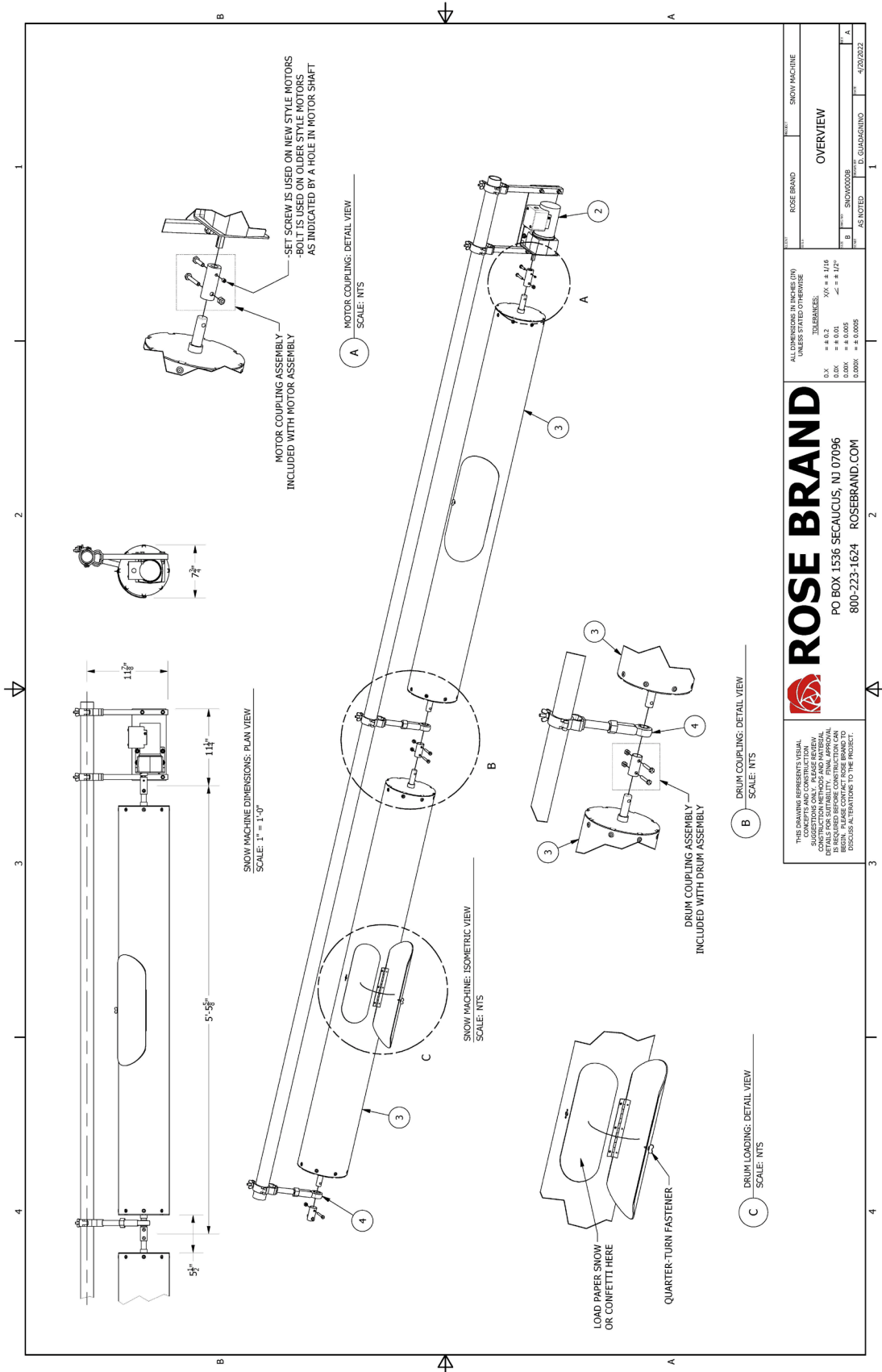


Fig. 1. System Assembly

8. Contacts

Rose Brand East 4 Emerson Lane Secaucus, NJ 07094 Toll Free: 800-223-1624 Phone: 201-809-1730	Rose Brand West 11440 Sheldon Street Sun Valley, CA 91352 Toll Free: 800-360-5056 Phone: 818-505-6290
---	---

